

SPOTTER

CK RADARS

Resilient
Reliable
Secure



K BAND COMPACT SURVEILLANCE RADARS

CK5
100m x 125m - 2.5 acres

CK10
150m x 150m - 4.4 acres

CK2 125m x 40m - 1 acre

CK20 250m x 175m 8.5 acres

NOTE: Distance represents the radar's ability to track a person walking. Larger objects can be tracked at much greater distances.

50m

100

150

200

250

300

FOR MORE INFORMATION CONTACT:
sales@spotterglobal.com
801-742-5849
spotterglobal.com

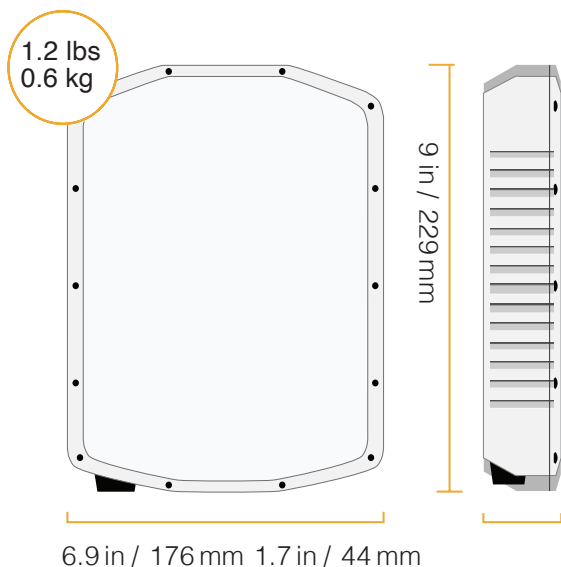
PREVENTING HARM



Compact Surveillance Radars

DIMENSIONS

CK2
CK5
CK10
CK20



General Specifications	
SCAN RATE	Up to 8 times per second
UPDATE RATE	Up to 8 times per second
OUTPUT DATA	GPS coordinates, velocity, RCS, range, time angle, heading, accuracy, and duration
OUTPUT PROTOCOL (PLATFORM)	JSON, XML, KML, Google Earth, NetworkedIO
INTERFACE	Ethernet (Web UI or API)
PHYSICAL INTERFACE	Passive PoE through IP67 PQT connector, 10/100 Mbps
RUGGED/WATERPROOF	IP67/NEMA 6P compliant
SETUP TIME	Less than 10 minutes using Web UI
CONNECTOR TYPE	Push Quarter Turn (PQT)

CK Series Specifications	CK2	CK5	CK10	CK20
DETECTION RANGE	Walker: 5-125m Vehicle: 5-175m	Walker: 5-100m Vehicle: 5-175m	Walker: 5-150m Vehicle: 5-200m	Walker: 10-250m Vehicle: 10-400m
COVERAGE AREA	125m x 40m = 1 acres	100m x 125 m = 2.5 acres	150m x 150m = 4.4 acres	250m x 175m = 8.5 acres
EFFECTIVE FIELD OF VIEW	Horizontal: 90 degrees Vertical: 20 degrees	Horizontal: 90 degrees Vertical: 20 degrees	Horizontal: 90 degrees Vertical: 20 degrees	Horizontal: 90 degrees Vertical: 20 degrees
ANGULAR ACCURACY	±3°	±3°	±3°	±3°
RANGE RESOLUTION	1 meter	1 meter	1 meter	1.5 meter
SIMULTANEOUS TRACKS	10	10	20	20
SYSTEM POWER	5-7 W @ 20-48 VDC Depending on duty cycle	5-7 W @ 20-48 VDC Depending on duty cycle	5-7 W @ 20-48 VDC Depending on duty cycle	5-7 W @ 20-48 VDC Depending on duty cycle
TEMPERATURE RANGE	-40° C to 65° C -40° F to 149° F	-40° C to 65° C -40° F to 149° F	-40° C to 65° C -40° F to 149° F	-40° C to 65° C -40° F to 149° F
FREQUENCY	24.0 to 24.25 GHz FCC & ETSI Unlicensed Band	24.0 to 24.25 GHz FCC & ETSI Unlicensed Band	24.0 to 24.25 GHz FCC & ETSI Unlicensed Band	24.0 to 24.25 GHz FCC & ETSI Unlicensed Band
CE COMPLIANT CE-CLASS B - RED	YES	YES	YES	NO

Protectors of critical infrastructure sites rely on Spotter radars to prevent harm.



FOR MORE INFORMATION CONTACT:

sales@spotterglobal.com
801-742-5849
spotterglobal.com



SpotterGlobal.com



Made in the USA



SPOTTER GLOBAL®

REV 10 03/2024
©2024 Spotter Global