

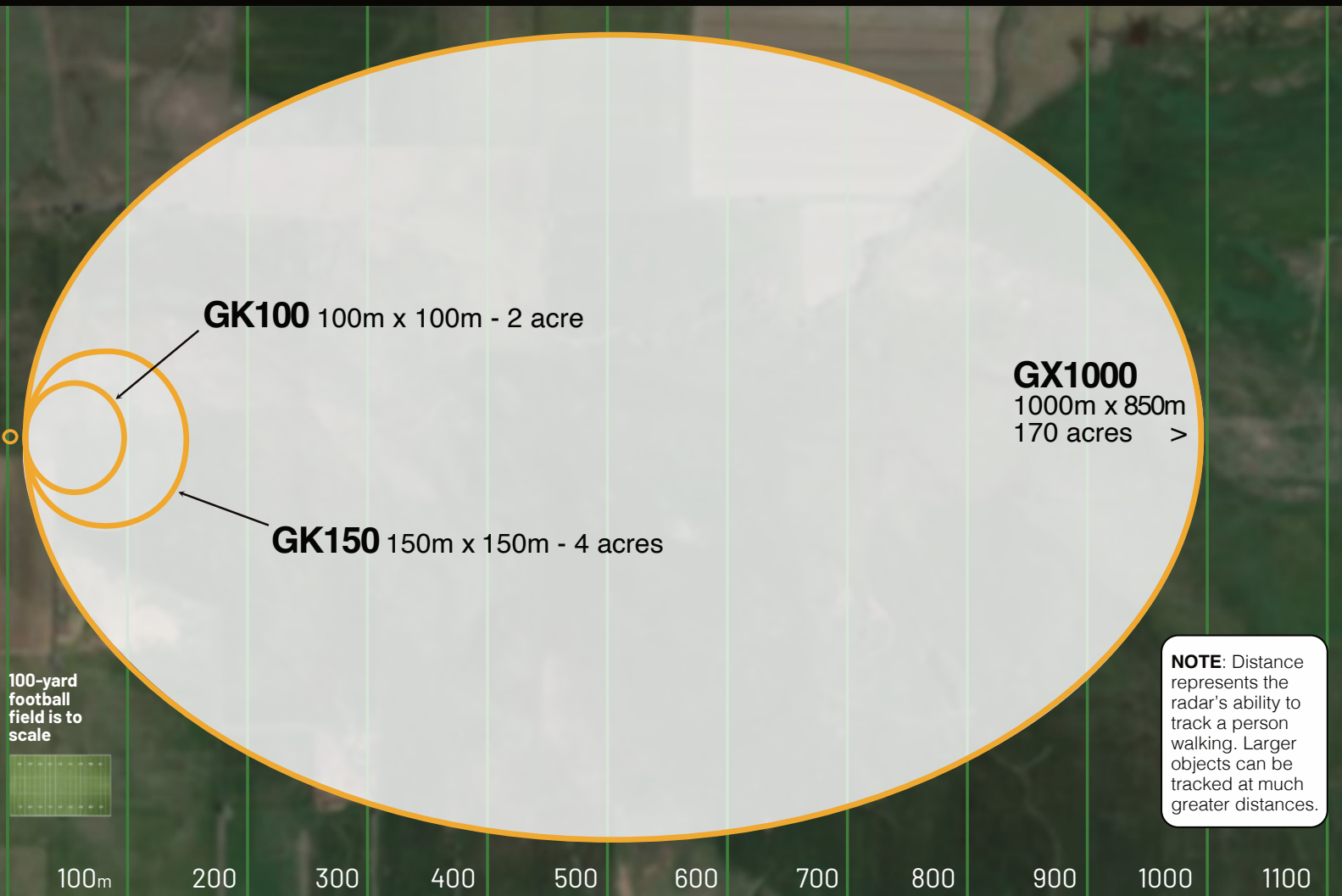
# SPOTTER

GK and GX RADARS

Resilient  
Reliable  
Secure



WITH ACTIVE POE RADARS

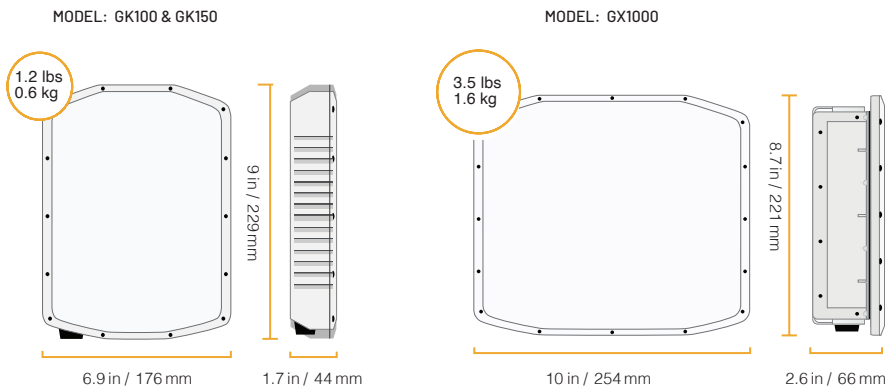


FOR MORE INFORMATION CONTACT:  
sales@spotterglobal.com  
801-742-5849  
spotterglobal.com

PREVENTING HARM



# Compact Surveillance Radars



General Specifications	
UPDATE RATE	Up to 8 times per second
OUTPUT DATA	GPS coordinates, velocity, RCS, range, time angle, heading, accuracy, and duration
OUTPUT PROTOCOL (PLATFORM)	JSON, XML, KML, Google Earth, NetworkedIO
INTERFACE	Ethernet (Web UI or API)
PHYSICAL INTERFACE	Active PoE through IP67 PQT connector, 10/100 Mbps
RUGGED/WATERPROOF	IP67/NEMA 6P compliant
SETUP TIME	Less than 10 minutes using Web UI
CONNECTOR TYPE	Push Quarter Turn (PQT)

The GK and the GX series radars use an Active Power over Ethernet connection, making installation easier and more cost effective while maintaining high performance when tracking threats.

GK and GX Active POE Specifications	GK100	GK150	GX1000
DETECTION RANGE	Walker: 5-100m Vehicle: 5-200m	Walker: 5-150m Vehicle: 5-250m	Walker: 30-1,000m Vehicle: 30-1,500m
COVERAGE AREA	100m x 100m = 2 acres	150m x 150 m = 4 acres	1,000 m x 850 m = 170 acres
EFFECTIVE FIELD OF VIEW	Horizontal: 90 degrees Vertical: 20 degrees	Horizontal: 90 degrees Vertical: 20 degrees	Horizontal: 90 degrees Vertical: 20 degrees
ANGULAR ACCURACY	±3°	±3°	±3°
RANGE RESOLUTION	1 meter	1 meter	3 meters
SIMULTANEOUS TRACKS	10	10	30
POWER CONSUMPTION	5-7 Watts Depending on duty cycle	5-7 Watts Depending on duty cycle	8-13 Watts Depending on duty cycle
TEMPERATURE RANGE	-40° C to 65° C -40° F to 149° F	-40° C to 65° C -40° F to 149° F	-40° C to 65° C -40° F to 149° F
FREQUENCY	24.0 to 24.25 GHz	24.0 to 24.25 GHz	10 - 10.5 GHz
COMPLIANT	FCC & ETSI Unlicensed Band	FCC & ETSI Unlicensed Band	FCC Certified

Protectors of critical infrastructure sites rely on Spotter radars to prevent harm.



**FOR MORE INFORMATION CONTACT:**  
[sales@spotterglobal.com](mailto:sales@spotterglobal.com)  
 801-742-5849  
[spotterglobal.com](http://spotterglobal.com)



SpotterGlobal.com



Made in the USA



SPOTTER GLOBAL®

REV 10 03/2024  
 ©2024 Spotter Global